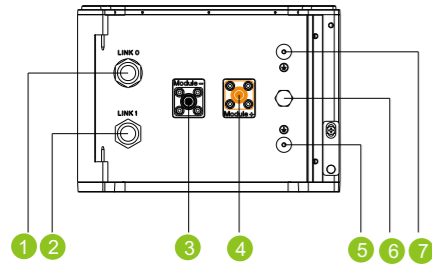
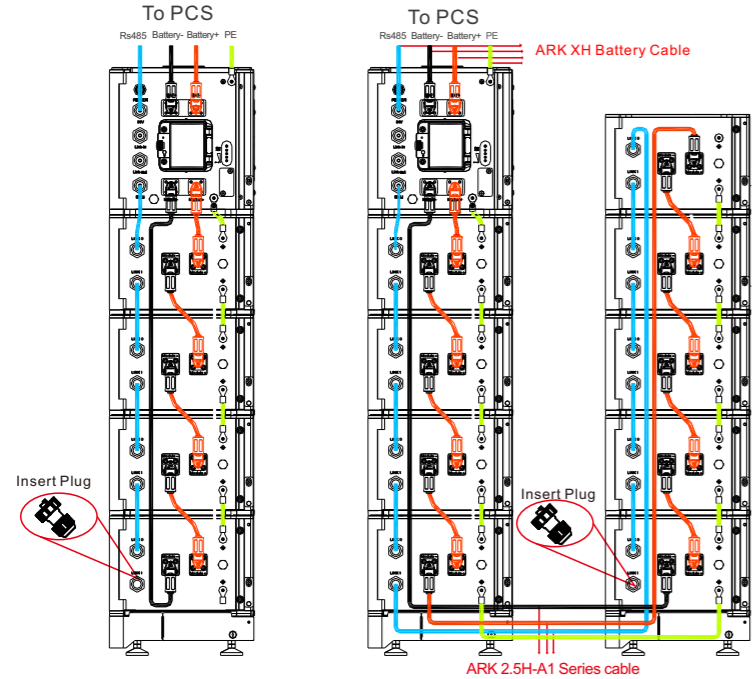


5-2 ARK 2.5H-A1 Connection end face introduction



1	LINK0 Series Communication Port	5	GND terminal
2	LINK1 Series Communication Port	6	Safety vent
3	Module negative terminal	7	GND terminal
4	Module positive terminal		

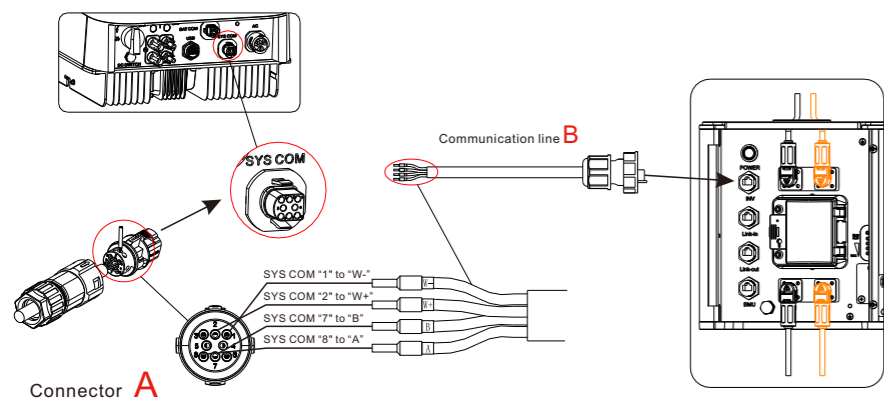
5-3 Diagram of wiring connection



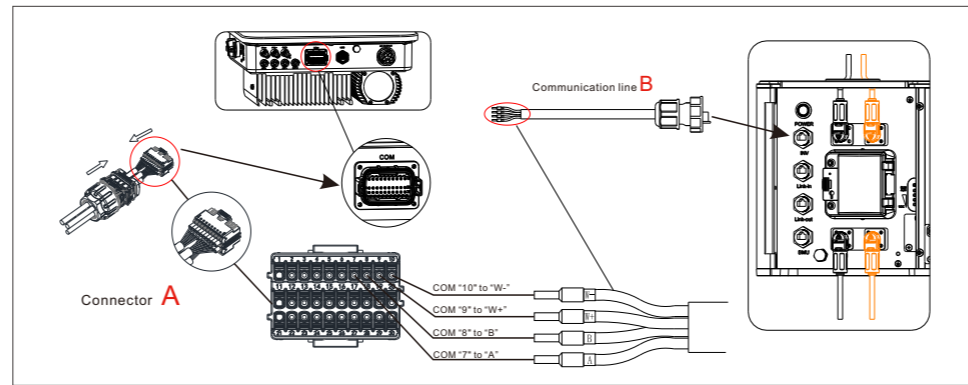
**Note:** It is not recommended to install a DC circuit breaker between the battery system and the hybrid inverter system. If you want to install a DC circuit breaker with rated working voltage greater than 1000V and rated working current greater than 63A, do not operate the DC circuit breaker with power on, otherwise the machine may be damaged.

5-4 Communication port connection

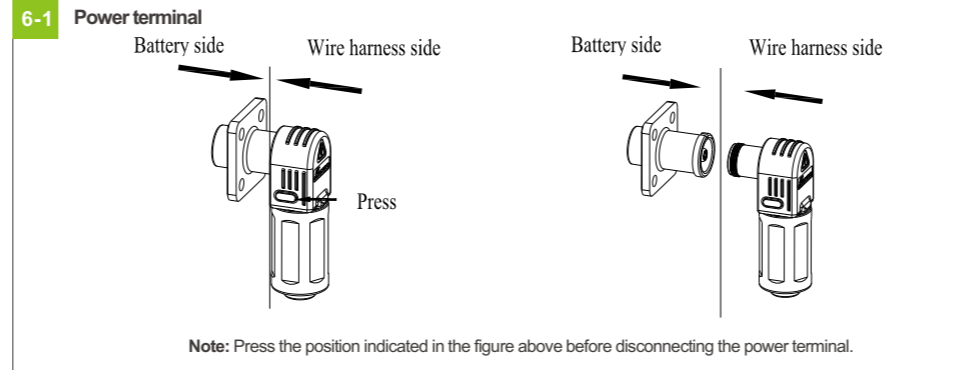
BDC 95045-A1			MIN TL-XH		
Silk screen	Terminal serial number	Definition	Silk screen	Terminal serial number	Definition
INV	1	WAKE-(W-)	SYS COM	1	BAT.EN-
	2	WAKE+(W+)		2	BAT.EN+
	7	RS 485_B (B)		7	RS 485_B
	8	RS 485_A(A)		8	RS 485_A



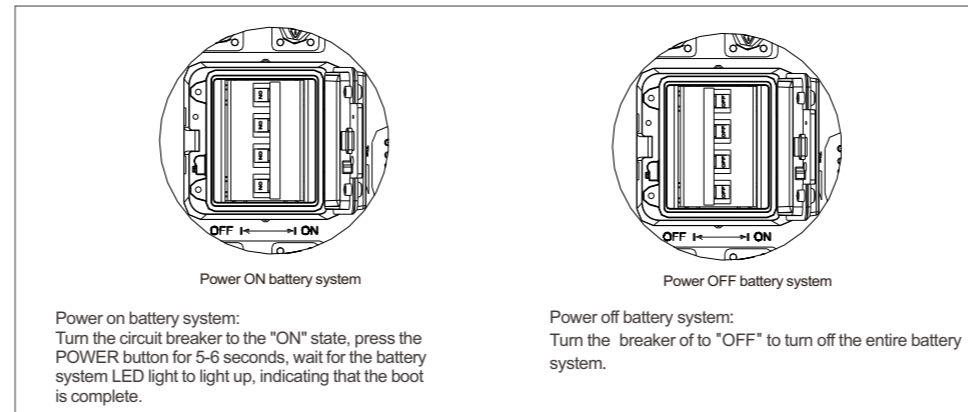
BDC 95045-A1			MOD TL3-XH		
Silk screen	Terminal serial number	Definition	Silk screen	Terminal serial number	Definition
INV	1	WAKE-(W-)	COM	10	BAT.EN-
	2	WAKE+(W+)		9	BAT.EN+
	7	RS 485_B (B)		8	RS485B2
	8	RS 485_A(A)		7	RS485A2



6.Terminal Connection



7.Battery system switch operation



8.Key operation

Situation	Touch	Definition	
Power Button	Touch	Definition	Press →
System off	Press(≥5S)	Power on	

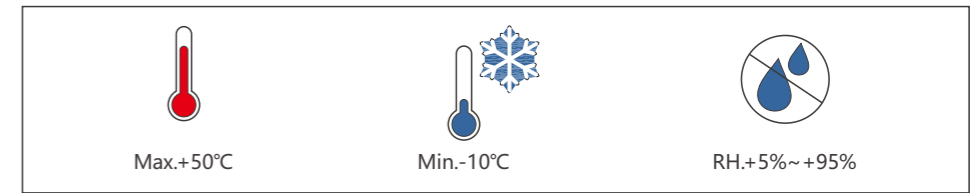
**Note:** When multiple battery system are used in parallel connection, you only need to press one key of any module to start the system.

9.Service and contact

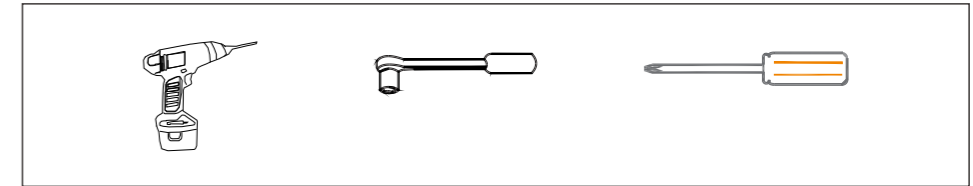
**Shenzhen Growatt New Energy Co., Ltd**  
4-13/F, Building A, Sino-German(Europe) Industrial Park, Hangcheng Ave, Bao'an District, Shenzhen, China  
☎ 86 0755 2747 1942    ✉ service@ginverter.com  
W:www.ginverter.com



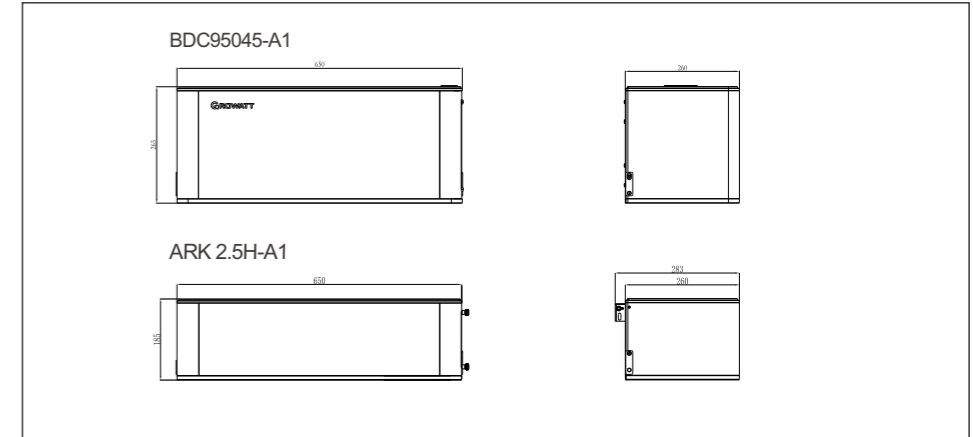
Installation environment



Installation tools

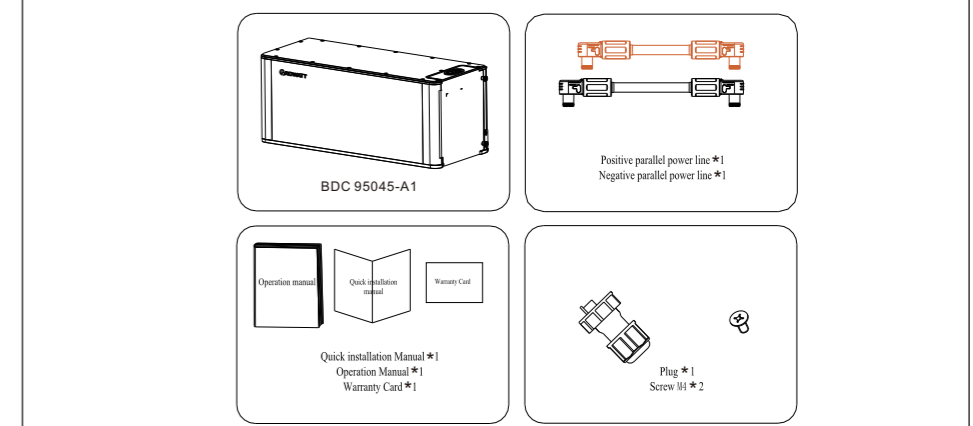


System size

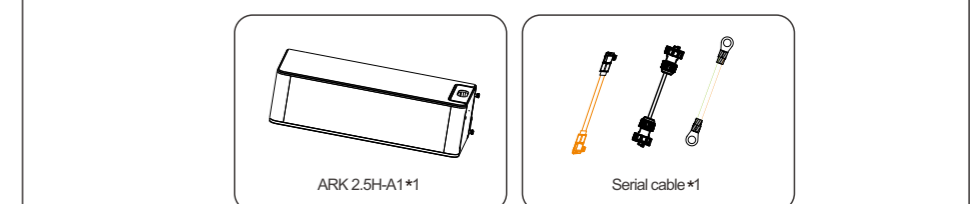


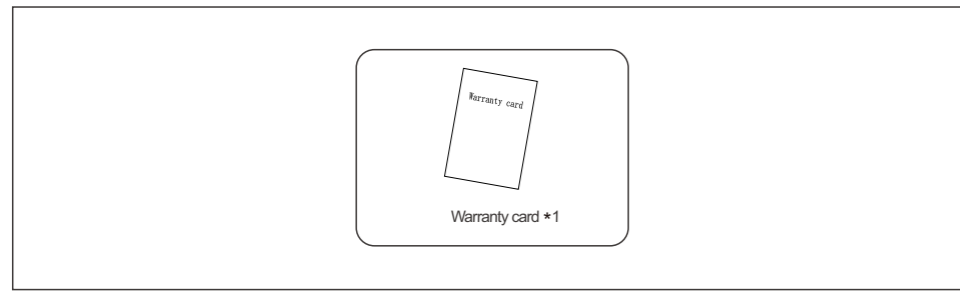
1.Check

1-1 Check BDC 95045-A1 List

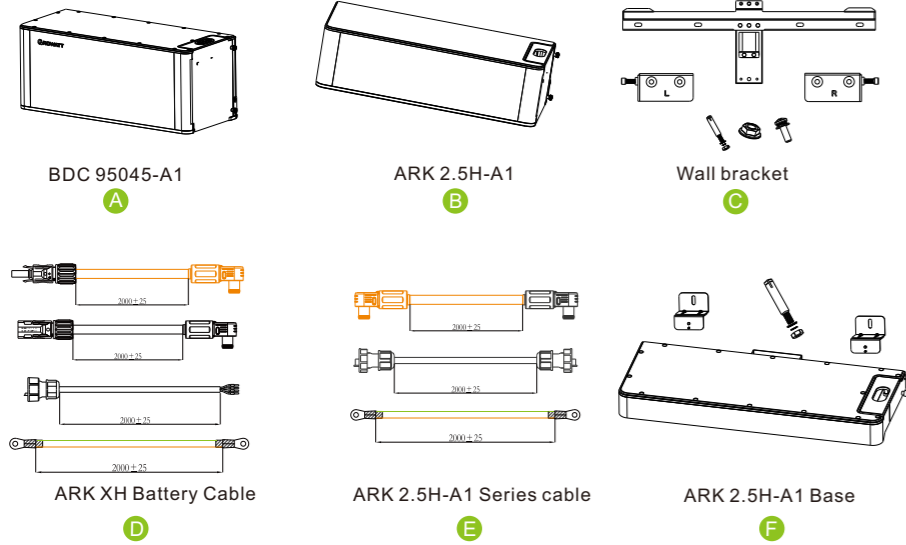


1-2 Check ARK 2.5H-A1 List





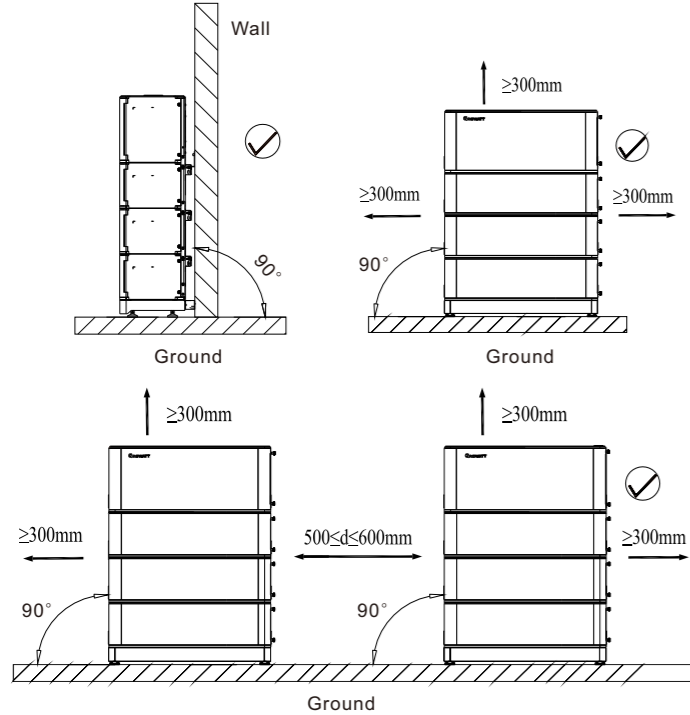
### 1-3 Check accessories



Installation Method	Compound Mode
Standard Wall-Mounted Installation	A+B+C+D
Standard floor installation	A+B+D+F
Wall-Mounted Battery system stacked in two line	A+B+C+D+E
Floor installation battery system stacked in two line	A+B+D+E+F*2

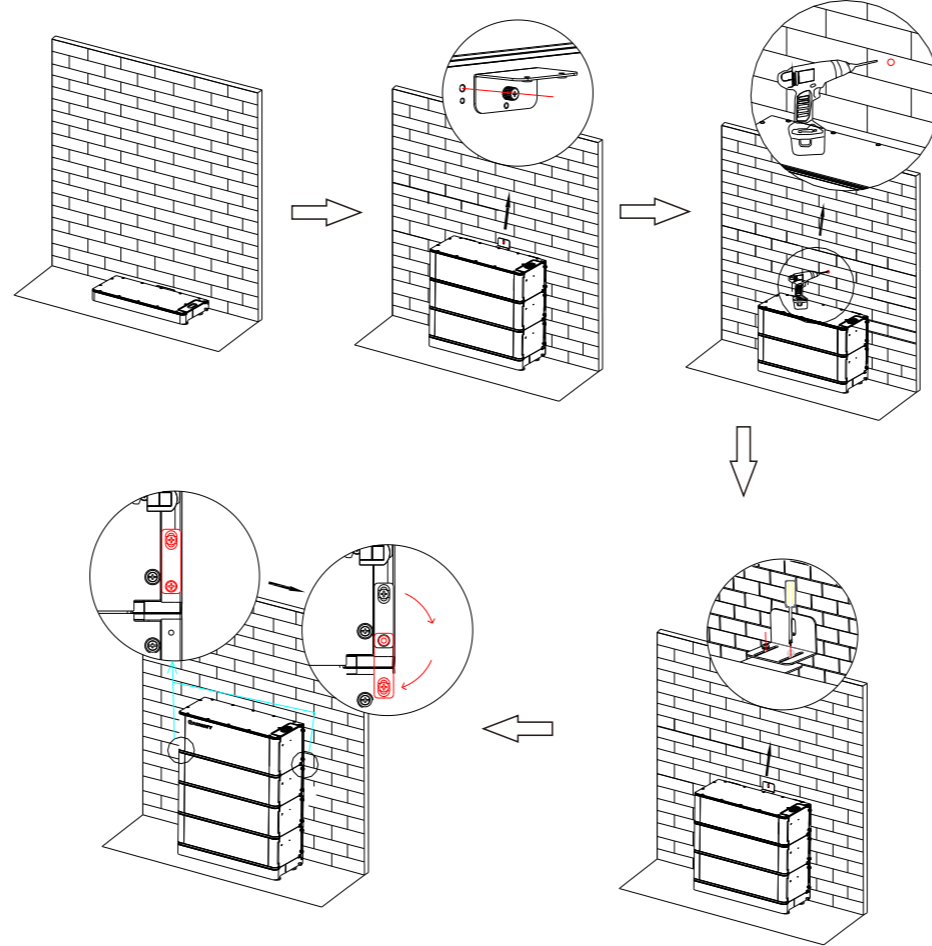
## 2. Floor installation with base

### 2-1 Installation Location Requirements



**Note:** 1. If more than 4 batteries are used, base mounting is recommended.  
2. For floor installation with base, the maximum stack number of the battery is ten. But if the battery number is greater than six, we recommend stacking them in two lines.

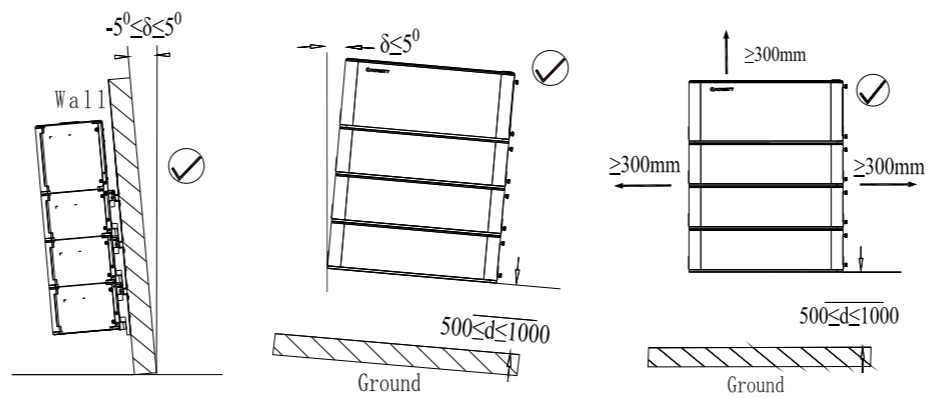
### 2-2 Installation Procedure



**Note:** The safety part needs to be installed at the top battery, however, once the number of the battery pack is higher than 7, one more safety part should be installed in the middle battery which is shown the last step.

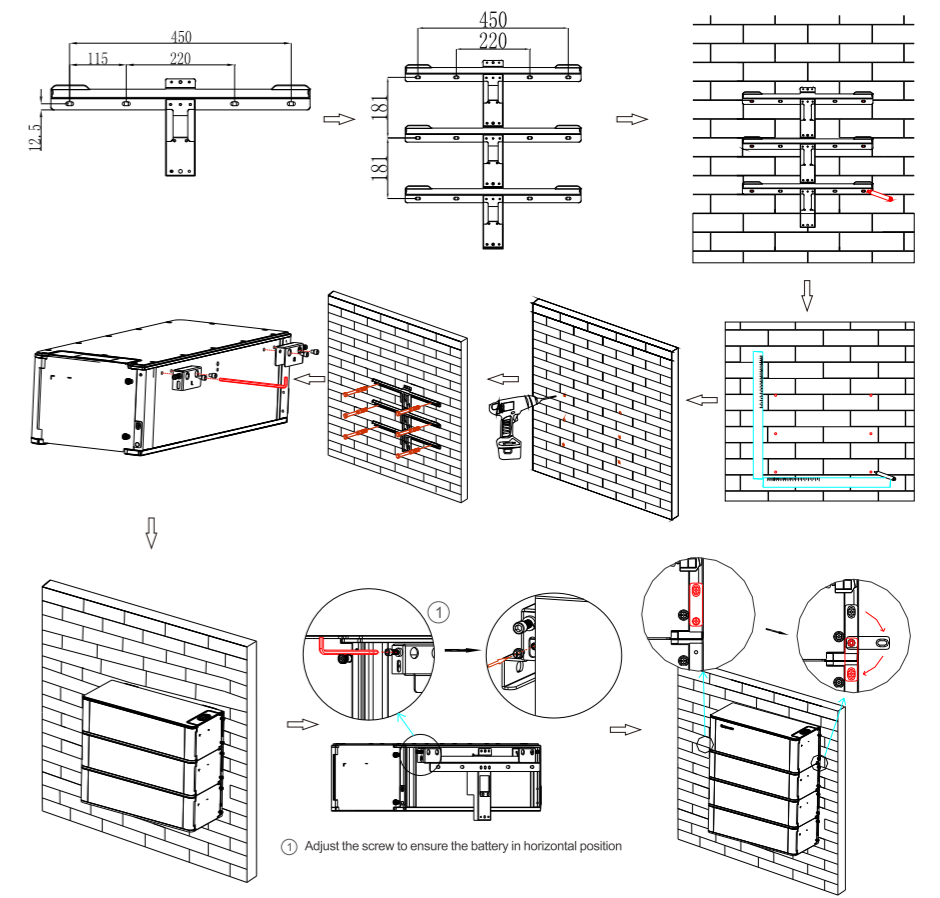
## 3. Wall-Mounted Installation Process

### 3-1 Installation Location Requirements

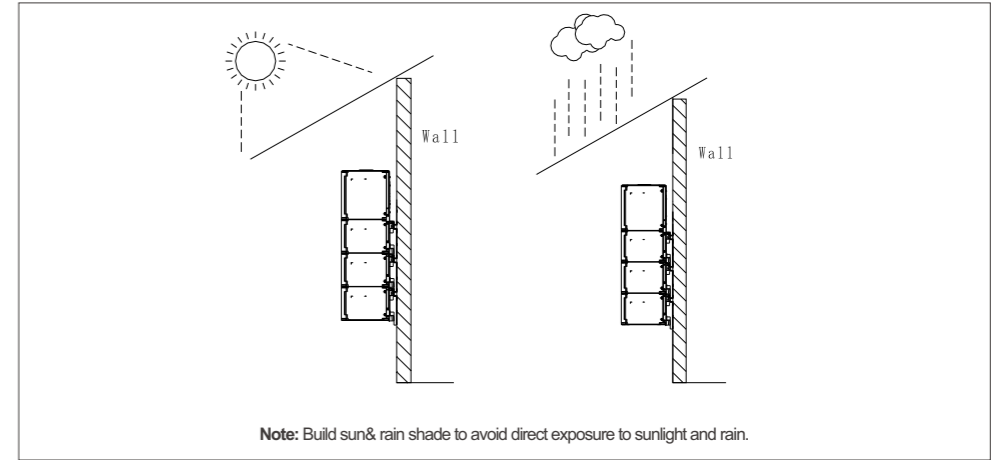


**Note:** The number of wall-mount installations should not exceed four. Please make sure that the weight capacity of wall should exceed 150kg.

### 3-2 Installation Procedure



## 4. Install Environment



**Note:** Build sun & rain shade to avoid direct exposure to sunlight and rain.

## 5. Wire Connection

### 5-1 BDC95045-A1 Connection end face introduction

